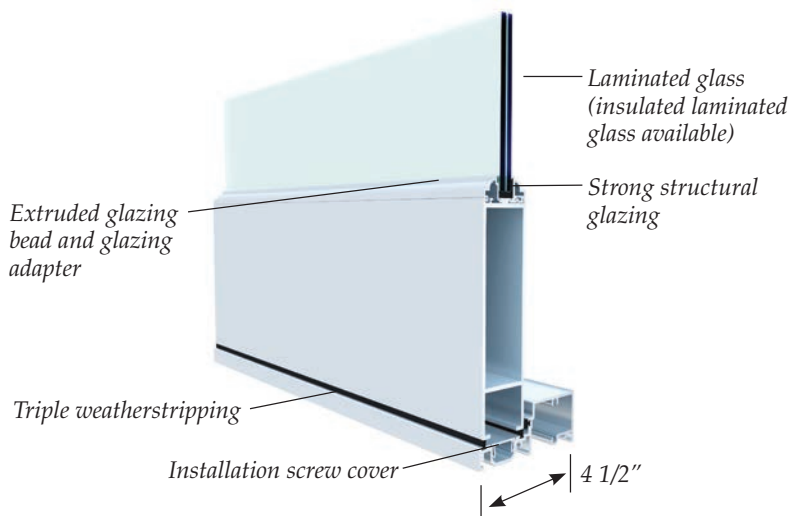
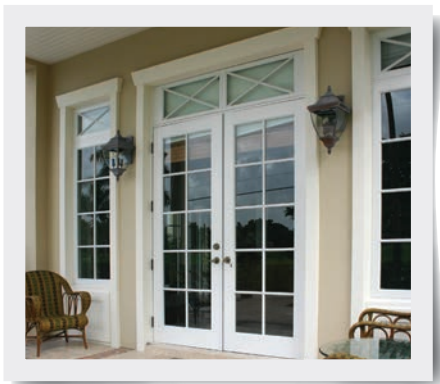


450 FRENCH DOOR

Industry leading entry door system available in configurations up to 12'x10' (with matching sidelites), standard stainless steel package, patented 3 point lock and a variety of design options.



See our Estate Entrances brochure for additional entry door options



Outswing shown. Available in Inswing.

Available Finishes

White, Bronze, Bone White Kynar or equivalent, Class I Clear Anodized, Aspen Wood Grain Finishes, Custom Colors

Standard Glass Colors

Clear, Gray, Dark Gray (Turtle Code), Bronze, Solexia Green, Azuria Blue, White Interlayer, Mist (Pattern 62), Rain

Glass Types

- 7/16" Laminated
- 1" Insulated Laminated

Glass Coatings

- Energy Efficient LoE Coatings

Standard Hardware

Residential

- 4 1/2" x 4" hinges (solid brass or stainless steel)
- Single cylinder deadbolt
- CGI patented three point lock mechanism
- Active and inactive door panels pre-bored for levers
- Flushbolts at inactive panel
- Available hardware finish: Satin Nickel PVD, Polished Brass PVD, Venetian Bronze

Commercial

- Commercial three point MS deadbolt lock
- Exterior cylinder/interior thumbturn
- Standard Push bar/Pull handle
- Flushbolts at inactive panel
- Available hardware finish: Clear (Silver) Aluminum

Standard Features

- Outswing configuration
- 2" thick (nominal) door panels
- Complete frame, threshold and Weatherstripping
- Extruded snap on glazing beads (in contoured ogee or contemporary square profiles)
- Extruded astragal adapter
- Extruded installation screw covers
- Dummy handle on inactive panel

Optional Items

- Panic hardware: Jackson series 2086 concealed vertical rod exit device
- In-swing configuration
- Extruded double applied raised profile 1" and 3 1/2" muntins (not applicable with insulated glass)
- True horizontal muntin (4 5/8" wide)
- 1/2" thick combinations aluminum/wood panel (in lieu of glass)
- Free-Standing and Self-Mating Sidelites and Transoms
- Residential Saddle or ADA Saddle thresholds (not rated for water resistance)
- Decorative aluminum panels
- Decorative wrought iron aluminum grills
- Muntin grids inside insulated glass (GBGs)

SWING DOOR SIZES (In inches)

Code Size	Door Type	6' 8" high units	8' high units	9' high units	10' high units
2068 / 2080 / 2090 / 20100	single	26 9/16 x 80 3/4	26 9/16 x 96 3/4	26 9/16 x 108 3/4	26 9/16 x 120 3/4
2668 / 2680 / 2690 / 26100	single	32 9/16 x 80 3/4	32 9/16 x 96 3/4	32 9/16 x 108 3/4	32 9/16 x 120 3/4
2868 / 2880 / 2890 / 28100	single	34 9/16 x 80 3/4	34 9/16 x 96 3/4	34 9/16 x 108 3/4	34 9/16 x 120 3/4
3068 / 3080 / 3090 / 30100	single	38 9/16 x 80 3/4	38 9/16 x 96 3/4	38 9/16 x 108 3/4	38 9/16 x 120 3/4
4068 / 4080 / 4090 / 40100	pair	50 1/2 x 80 3/4	50 1/2 x 96 3/4	50 1/2 x 108 3/4	50 1/2 x 120 3/4
5068 / 5080 / 5090 / 50100	pair	62 1/2 x 80 3/4	62 1/2 x 96 3/4	62 1/2 x 108 3/4	62 1/2 x 120 3/4
5468 / 5480 / 5490 / 54100	pair	66 1/2 x 80 3/4	66 1/2 x 96 3/4	66 1/2 x 108 3/4	66 1/2 x 120 3/4
6068 / 6080 / 6090 / 60100	pair	74 1/2 x 80 3/4	74 1/2 x 96 3/4	74 1/2 x 108 3/4	74 1/2 x 120 3/4

Also available in wide configurations: 44 9/16 x 80 3/4, 44 9/16 x 96 3/4, 44 9/16 x 102 3/4, 86 1/2 x 80 3/4, 86 1/2 x 96 3/4, 86 1/2 x 102 3/4

SELF-MATING SIDELITE SIZES (In inches. Has one full jamb and one jamb adapter, designed to mate with doors or a free-standing sidelite)

Code Size	Note	6' 8" high units	8' high units	9' high units	10' high units
1068 / 1080 / 1090 / 10100	1 3/4 stiles	13 1/4 x 80 3/4	13 1/4 x 96 3/4	13 1/4 x 108 3/4	13 1/4 x 120 3/4
1668 / 1680 / 1690 / 16100	1 3/4 stiles	19 1/4 x 80 3/4	19 1/4 x 96 3/4	19 1/4 x 108 3/4	19 1/4 x 120 3/4
2068 / 2080 / 2090 / 20100	5 1/2 stiles	25 1/4 x 80 3/4	25 1/4 x 96 3/4	25 1/4 x 108 3/4	25 1/4 x 120 3/4
2668 / 2680 / 2690 / 26100	5 1/2 stiles	31 1/4 x 80 3/4	31 1/4 x 96 3/4	31 1/4 x 108 3/4	31 1/4 x 120 3/4
2868 / 2880 / 2890 / 28100	5 1/2 stiles	33 1/4 x 80 3/4	33 1/4 x 96 3/4	33 1/4 x 108 3/4	33 1/4 x 120 3/4
3068 / 3080 / 3090 / 30100	5 1/2 stiles	37 1/4 x 80 3/4	37 1/4 x 96 3/4	37 1/4 x 108 3/4	37 1/4 x 120 3/4

FREE-STANDING SIDELITE SIZES (In inches. Has full jambs on both sides and can be installed independently as a single unit.)

Code Size	Note	6' 8" high units	8' high units	9' high units	10' high units
1068 / 1080 / 1090 / 10100	1 3/4 stiles	14 3/8 x 80 3/4	14 3/8 x 96 3/4	14 3/8 x 108 3/4	14 3/8 x 120 3/4
1668 / 1680 / 1690 / 16100	1 3/4 stiles	20 3/8 x 80 3/4	20 3/8 x 96 3/4	20 3/8 x 108 3/4	20 3/8 x 120 3/4
2068 / 2080 / 2090 / 20100	5 1/2 stiles	26 3/8 x 80 3/4	26 3/8 x 96 3/4	26 3/8 x 108 3/4	26 3/8 x 120 3/4
2668 / 2680 / 2690 / 26100	5 1/2 stiles	32 3/8 x 80 3/4	32 3/8 x 96 3/4	32 3/8 x 108 3/4	32 3/8 x 120 3/4
2868 / 2880 / 2890 / 28100	5 1/2 stiles	34 3/8 x 80 3/4	34 3/8 x 96 3/4	34 3/8 x 108 3/4	34 3/8 x 120 3/4
3068 / 3080 / 3090 / 30100	5 1/2 stiles	38 3/8 x 80 3/4	38 3/8 x 96 3/4	38 3/8 x 108 3/4	38 3/8 x 120 3/4

PERFORMANCE RESULTS

Maximum Water Resistance	Out-Swing Sill In-Swing Sill Saddle Thresholds	15 PSF 7.5 PSF Not Rated For Water
Large Missile Laminated Glass	3090 Door Panel (Ann/Ann Glass) 3686 Door Panel (Ann/Ann Glass) 30100 Door Panel (Ann/Ann Glass)	+100 /-110 PSF +70 /-70 PSF +70 /-70 PSF
Large Missile Insulated Laminated Glass	3090 Door Panel (Temp-Air-Ann/Ann Glass)* 3686 Door Panel (Temp-Air-Ann/Ann Glass)* 30100 Door Panel (Temp-Air-Ann/Ann Glass)*	+70 /-70 PSF +70 /-70 PSF +70 /-70 PSF
Forced Entry Test (AAMA 1302.5)		Passed

Performance values are for laminated glass with .090" Sentryglas Interlayer. Consult the NOA for values with PVB Interlayer.

*Glass limited to 8/0 daylight opening. Panel sizes above 8/0 require true muntin.

ENERGY VALUES (NFRC Approved)

450 Swing Door	U-Factor	SHGC	VT
7/16" Laminated Gray	1.01	0.33	0.25
7/16" Laminated Clear	1.01	0.42	0.45
7/16" Laminated Clear LoE 366	1.05	0.23	0.31
1" Insulated Laminated Clear LoE 366	0.72	0.18	0.32
1" Insulated Laminated Clear LoE 270	0.73	0.23	0.34

* For turtle code, please refer to center of glass values.