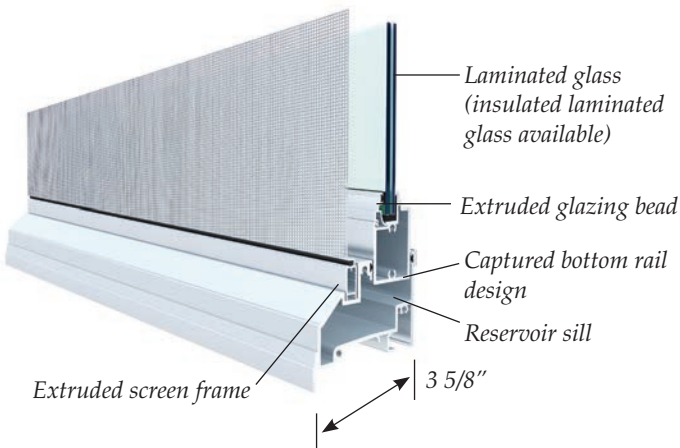


360 SINGLE HUNG WINDOW

Industry leading single hung with design pressures up to +100/-210 PSF, available up to 42x120 or 54x96, Ogee glazing beads and muntins, standard stainless steel assembly screws, and clipless mullions.



Available Finishes

White, Bronze, Bone White Kynar or equivalent, Class I Clear Anodized, Aspen Wood Grain Finishes, Custom Colors

Standard Glass Colors

Clear, Gray, Dark Gray (Turtle Code), Bronze, Solexia Green, Azuria Blue, White Interlayer, Mist (Pattern 62), Rain

Glass Types

- 5/16" Laminated
- 7/16" Laminated
- 13/16" Insulated Laminated

Glass Coatings

- Energy Efficient LoE Coatings

Standard Hardware

- Pair of CGI egress self closing locks (sill mounted). Note: one lock used on windows 28" wide or less
- Pair of concealed balances
- CGI Patented Carrier Slide System

Standard Features

- Extruded screen frame with Super-View™ screen with fiberglass mesh
- Extruded snap on glazing beads
- Stainless steel assembly screws
- Double and triple Weatherstripping
- Standard 12 PSF water sill
- Balance covers and screen pocket covers

Optional Items

- Small missile impact resistant option
- 15 PSF waterbar adapter
- Sweep lock, keeper, and lift/pull (available for 5/16" glass only)
- Clipless mullions
- Oriel/Proview (uneven size vent available)
- Extruded double applied 1" colonial muntins (in standard or custom grids) with Ogee glazing beads only (not applicable with insulated glass)
- Muntin grids inside insulated glass (GBGs)



SIZE LIMITATIONS (In inches)

Minimum	Size	Maximum	Size
Minimum Width	18	Maximum Width	54
Minimum Height	24	Maximum Height	120

MODULAR SIZES (In inches)

24 x 24	30 x 24	32 x 24	36 x 24	42 x 24	48 x 24	54 x 24
24 x 36	30 x 36	32 x 36	36 x 36	42 x 36	48 x 36	54 x 36
24 x 48	30 x 48	32 x 48	36 x 48	42 x 48	48 x 48	54 x 48
24 x 60	30 x 60	32 x 60	36 x 60	42 x 60 e	48 x 60 e	54 x 60 e
24 x 72	30 x 72	32 x 72	36 x 72 e	42 x 72 e	48 x 72 e	54 x 72 e
24 x 84	30 x 84 e	32 x 84 e	36 x 84 e	42 x 84 e	48 x 84 e	54 x 84 e
24 x 96	30 x 96 e	32 x 96 e	36 x 96 e	42 x 96 e	48 x 96 e	54 x 96 e
				42 x 120 e		

All window dimensions shown are tip to tip of exterior 1/2" flange on frame.

e = Indicates windows that comply with egress (emergency escape) opening requirements when properly located on wall opening.

COMMODITY SIZES (In inches)

19 1/8 x 26	26 1/2 x 26	37 x 26	53 1/8 x 26
19 1/8 x 38 3/8	26 1/2 x 38 3/8	37 x 38 3/8	53 1/8 x 38 3/8
19 1/8 x 50 5/8	26 1/2 x 50 5/8	37 x 50 5/8	53 1/8 x 50 5/8
19 1/8 x 63	26 1/2 x 63	37 x 63 e	53 1/8 x 63 e
19 1/8 x 72	26 1/2 x 72	37 x 72 e	53 1/8 x 72 e
19 1/8 x 76	26 1/2 x 76	37 x 76 e	53 1/8 x 76 e

PERFORMANCE RESULTS

Maximum Water Resistance	Without waterbar adapter With waterbar adapter	12.0 PSF 15.0 PSF
Large Missile Laminated Glass (5/16")	37" x 63" Window (Ann/Ann Glass) 54" x 96" Window (Ann/Ann Glass) 42" x 120" Window (Ann/Ann Glass) 37" x 63" Window (HS/HS Glass) 54" x 96" Window (HS/HS Glass) 42" x 120" Window (HS/HS Glass)	+100 /-154.9 PSF +68.9 /-68.9 PSF +66.4 /-66.4 PSF +100 /-210 PSF +100 /-120 PSF +100 /-120 PSF
Large Missile Insulated Laminated Glass	37" x 63" Window (Ann-Air-Ann/Ann Glass) 54" x 96" Window (Ann-Air-Ann/Ann Glass) 42" x 120" Window (Ann-Air-Ann/Ann Glass) 37" x 63" Window (HS-Air-HS/HS Glass) 54" x 96" Window (HS-Air-HS/HS Glass) 42" x 120" Window (HS-Air-HS/HS Glass)	+100 /-177.6 PSF +73.2 /-73.2 PSF +70.6 /-70.6 PSF +100 /-210 PSF +100 /-120 PSF +100 /-120 PSF
Forced Entry Test (AAMA 1302.5)		Passed

* Performance values for small missile are also available.

ENERGY VALUES (NFRC Approved)

360 Single Hung	U-Factor	SHGC	VT
5/16" Laminated Gray	1.06	0.44	0.39
5/16" Laminated Clear	1.06	0.53	0.59
5/16" Laminated Clear LoE 366	1.07	0.25	0.42
13/16" Insulated Laminated Clear LoE 366	0.61	0.21	0.42
13/16" Insulated Laminated Clear LoE 270	0.61	0.27	0.46

* For turtle code, please refer to center of glass values.